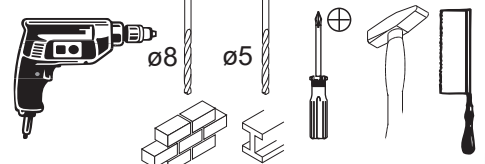
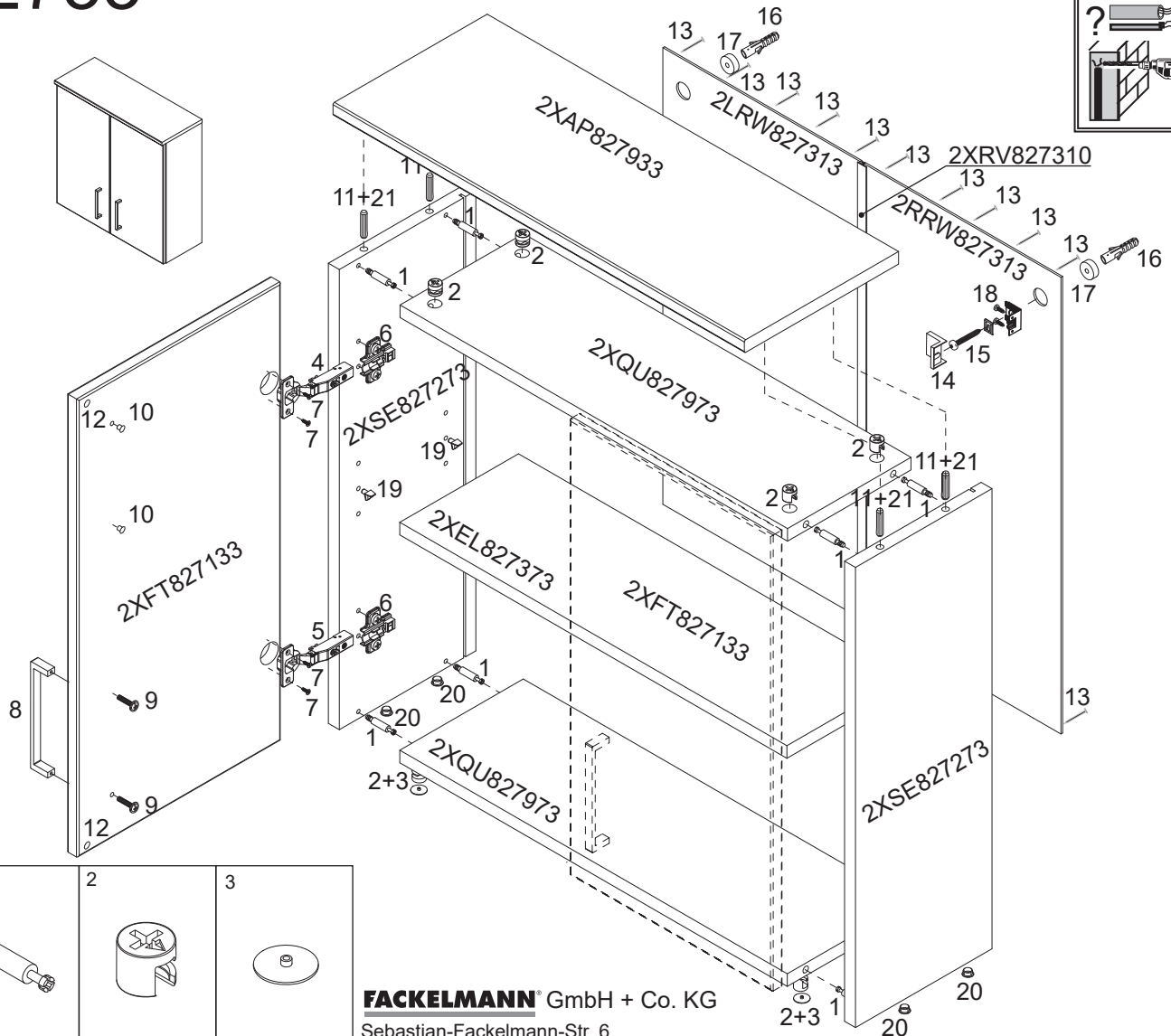


# FACKELMANN®



## 82733



1	2	3
4BB1500001	4BB1515000	4BB0070523
8 x	8 x	4 x

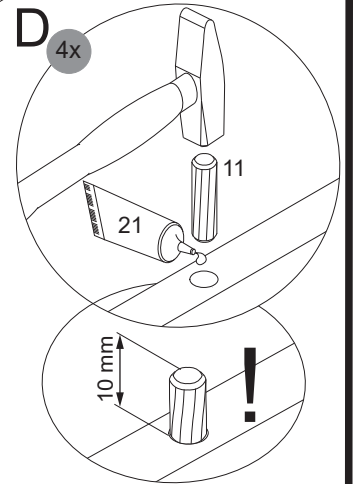
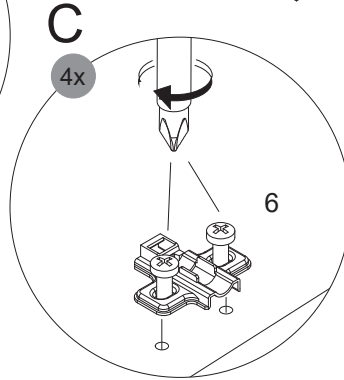
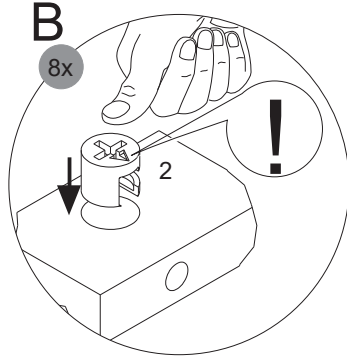
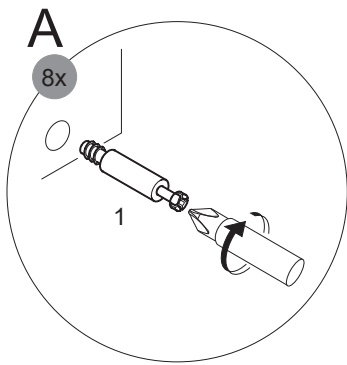
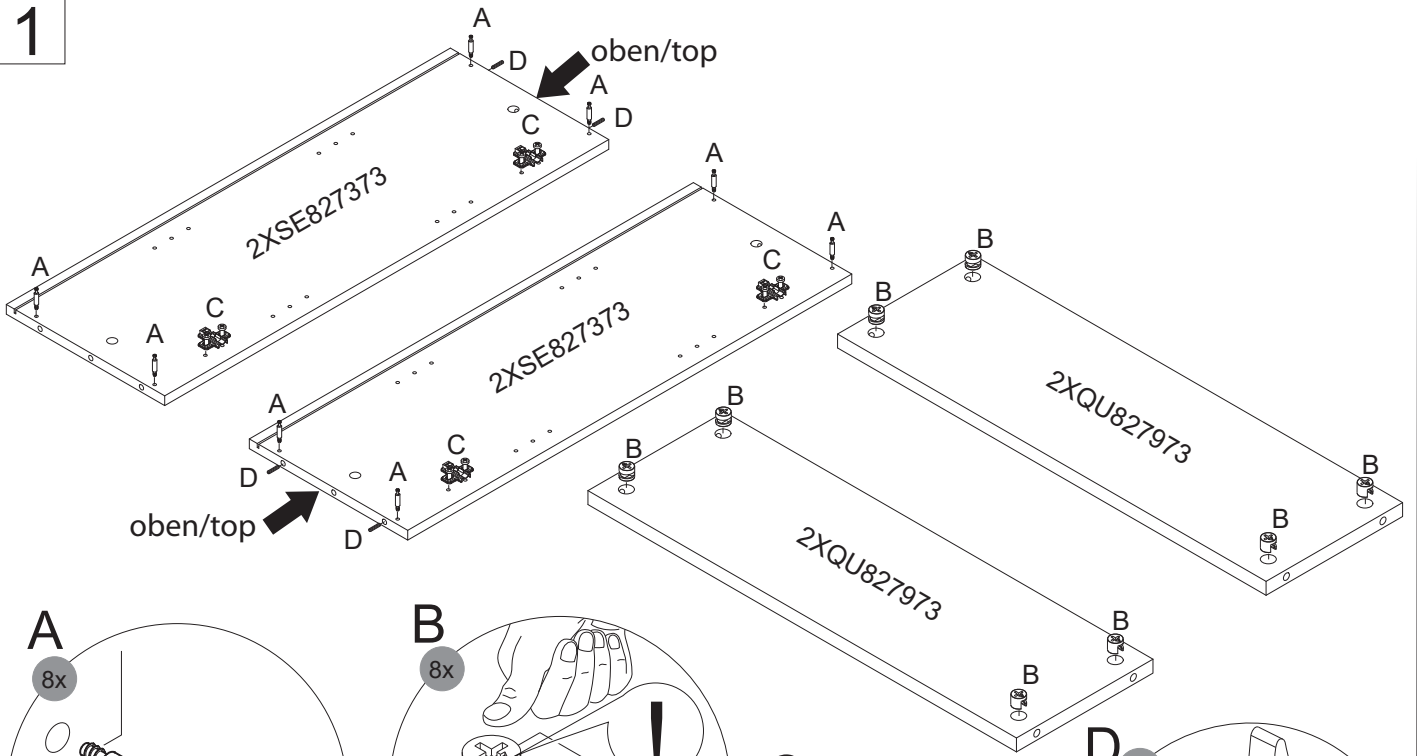
**FACKELMANN® GmbH + Co. KG**

Sebastian-Fackelmann-Str. 6  
 91217 Hersbruck • Deutschland  
 FAX: 09151/811-294  
 Servicetelefon: 09151/811-206  
 servicebm@fackelmann.de  
 www.fackelmann.com

4	5 Softclose	6	7	8	9	10	11	12
4BB3511002	4BB3511003	4BB3711012	4SK3.5X130	4BB8550128	4FKM4.0X20	4BB1245037	4BD008X300	2BB268X1.6
2 x	2 x	4 x	8 x	2 x	4 x	4 x	4 x	4 x

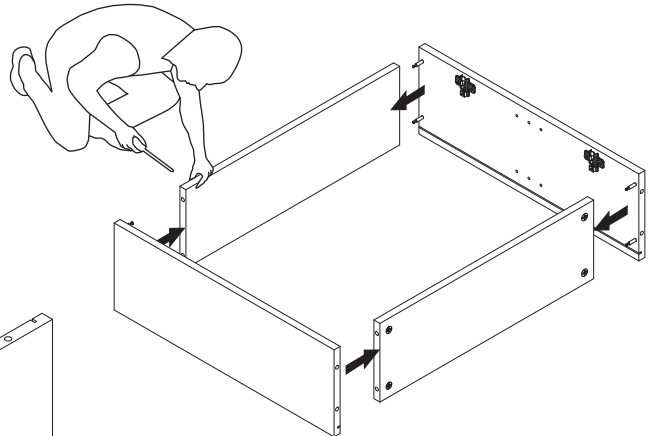
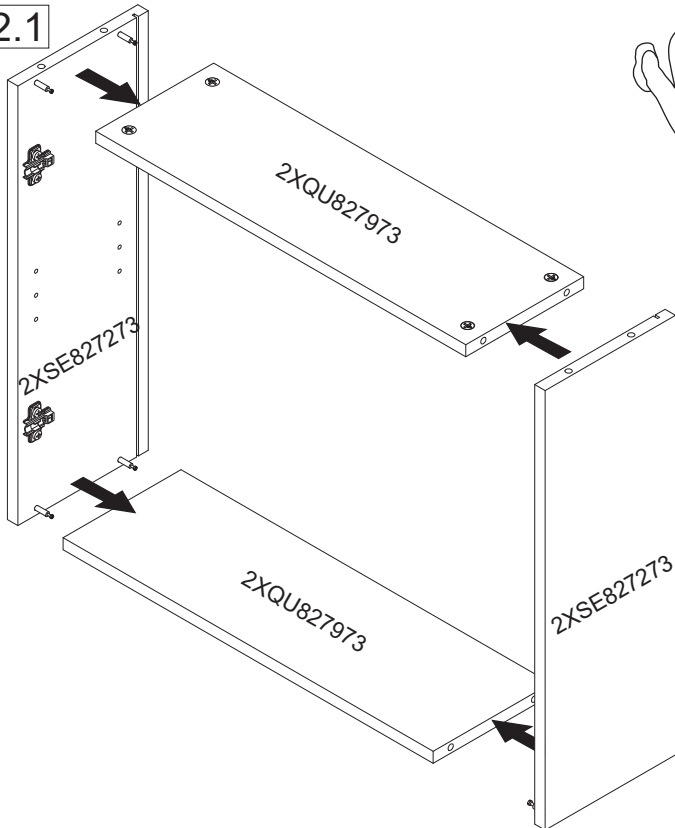
13	14	15	16	17	18	19	20	21
4XBN1.2X20	4BB8430000	4RK5.0X601	4BD8000000	4BB8430003	4RK4.0X150	4BB0050030	4BB0070528	3KL1020900
20 x	2 x	2 x	2 x	2 x	4 x	4 x	4 x	1 x

1

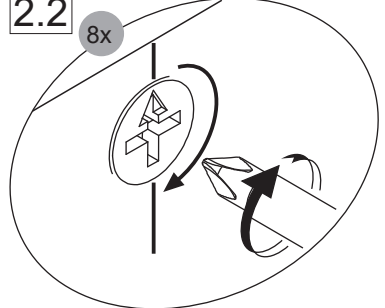


2

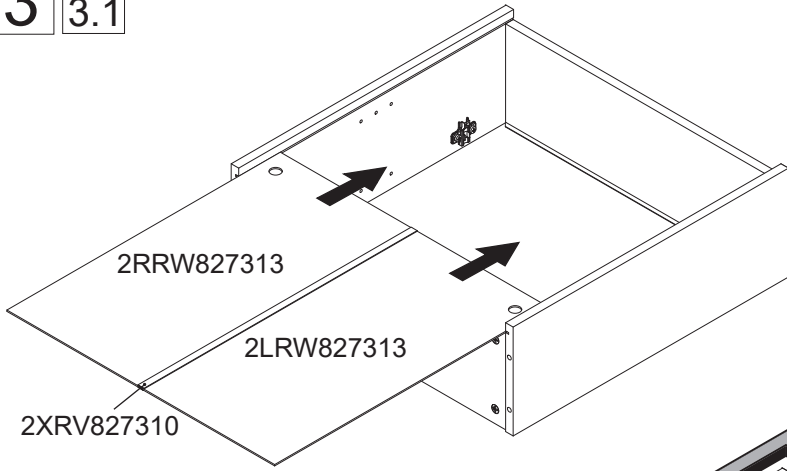
2.1



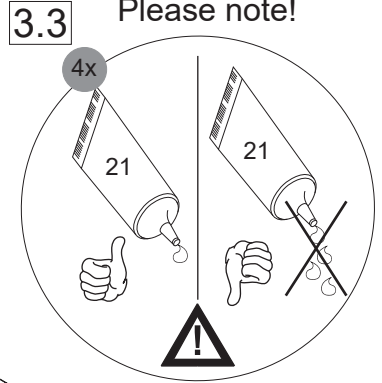
2.2



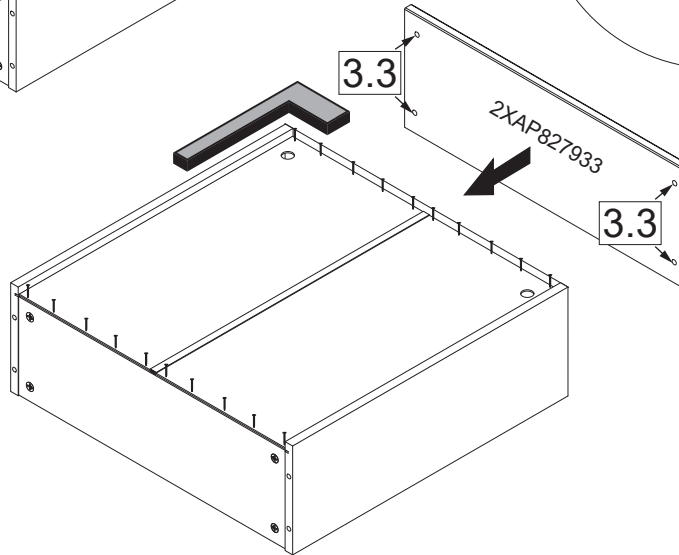
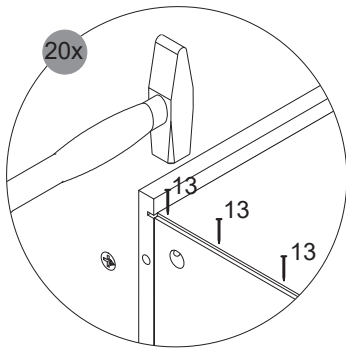
**3** 3.1



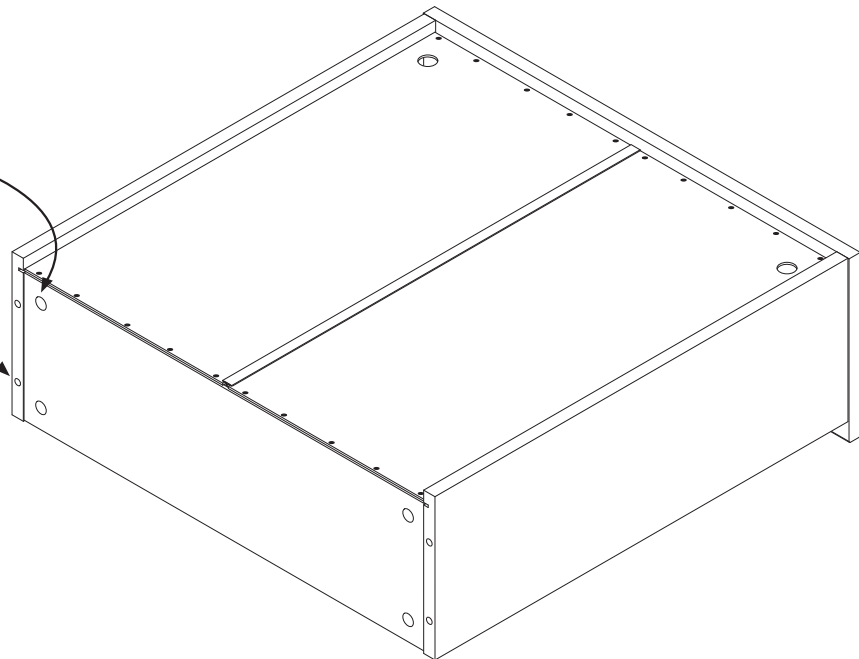
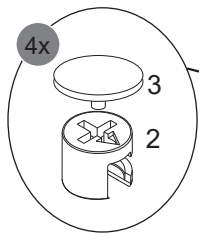
Bitte beachten!  
Please note!



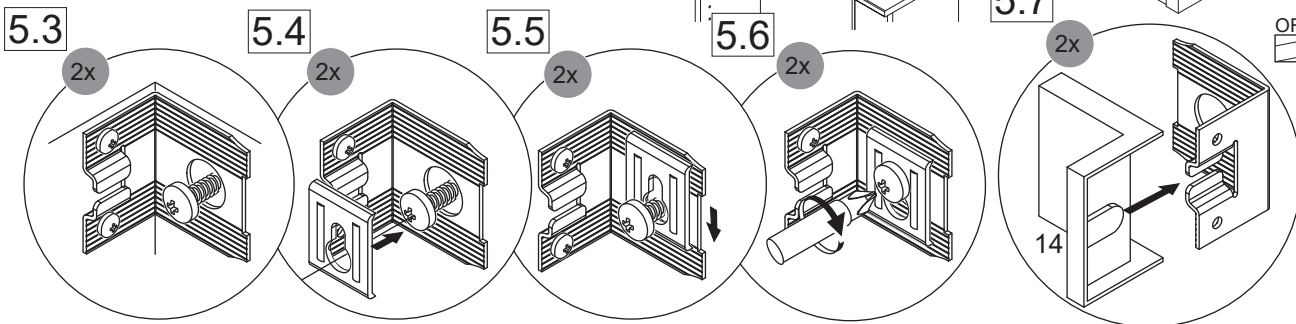
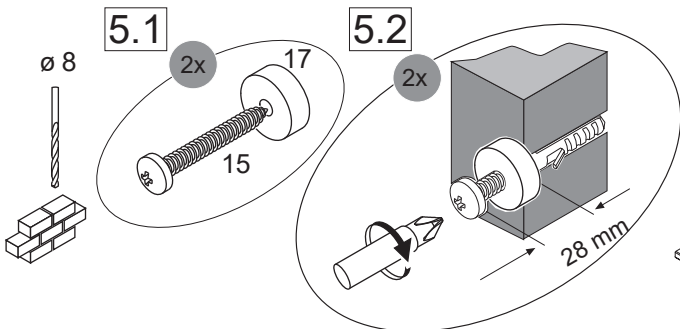
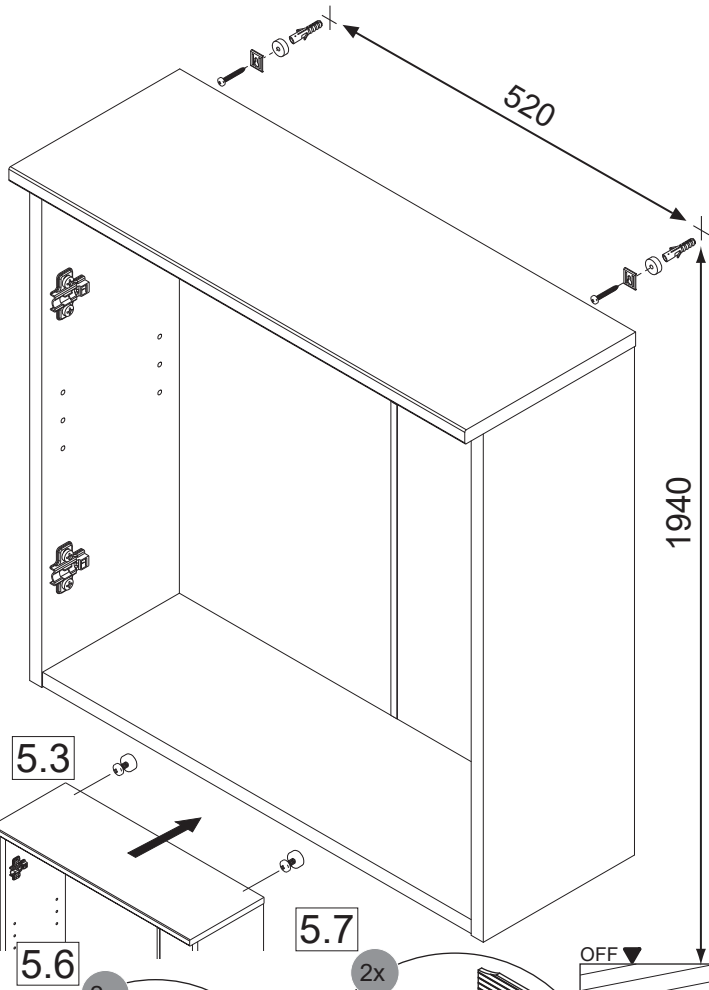
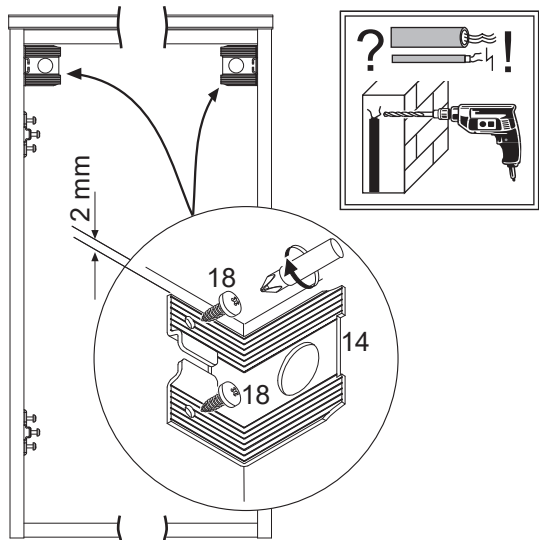
**3.2**



**4**

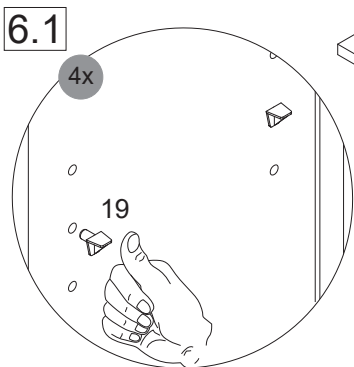
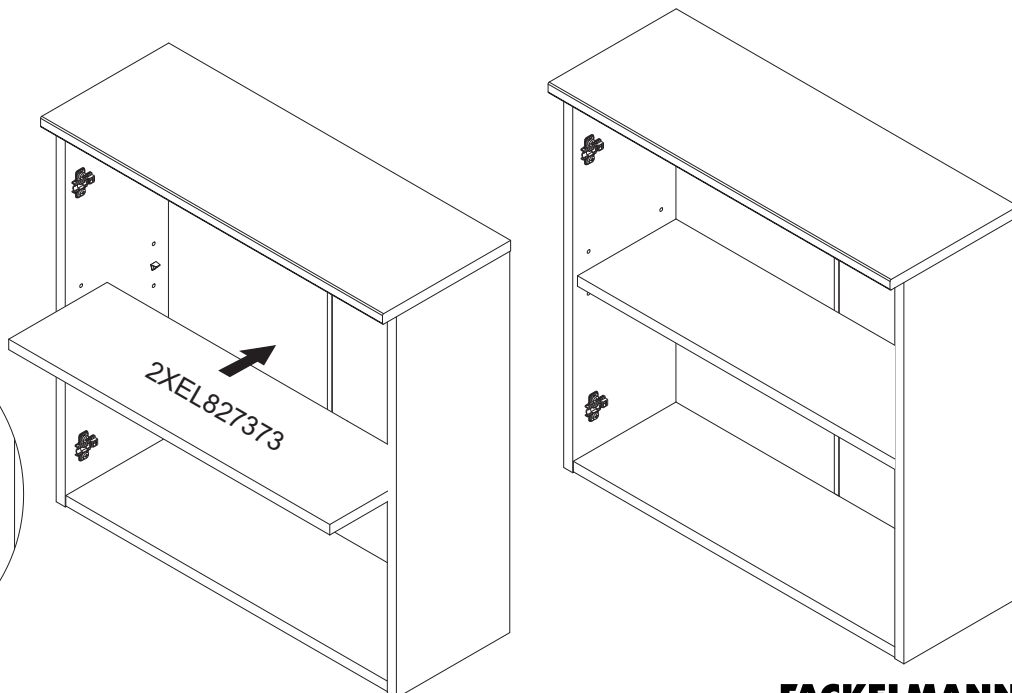


5



\*OFF = Oberkante fertiger Fußboden  
 \*OFF = Top edge of finished floor

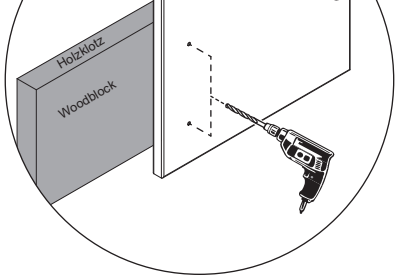
6



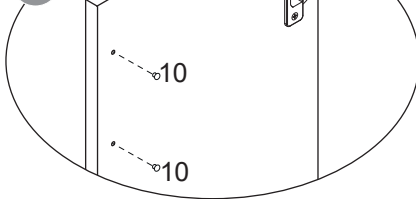
**7****7.1**

2x

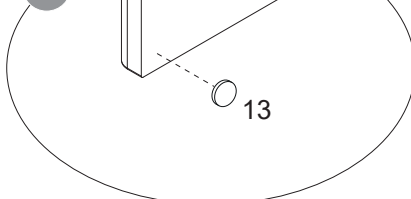
Ø5

**7.4**

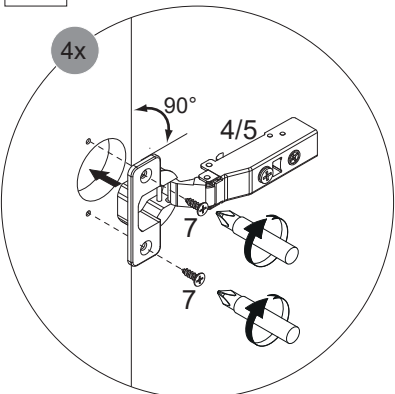
2x

**7.5**

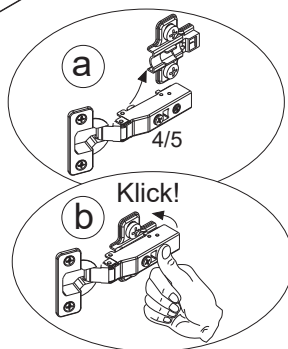
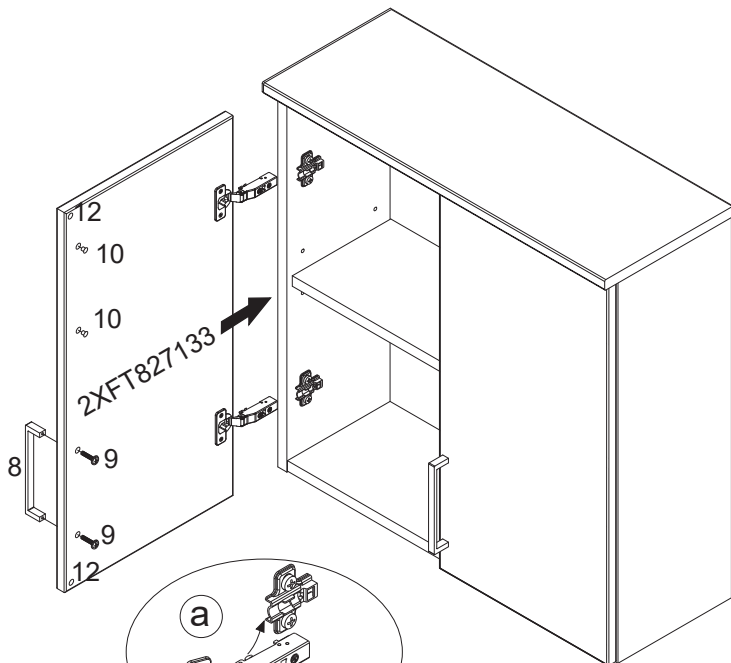
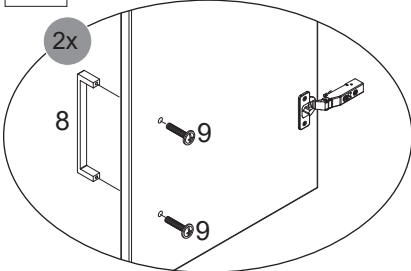
4x

**7.2**

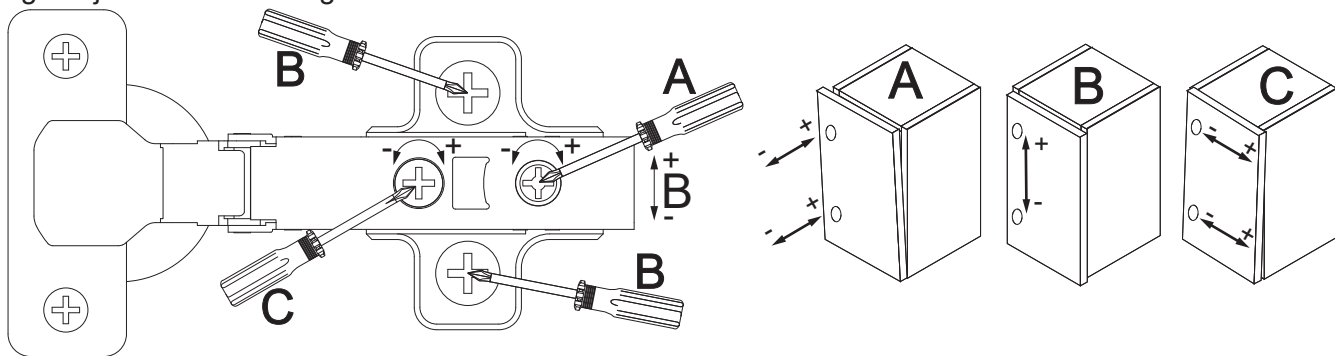
4x

**7.3**

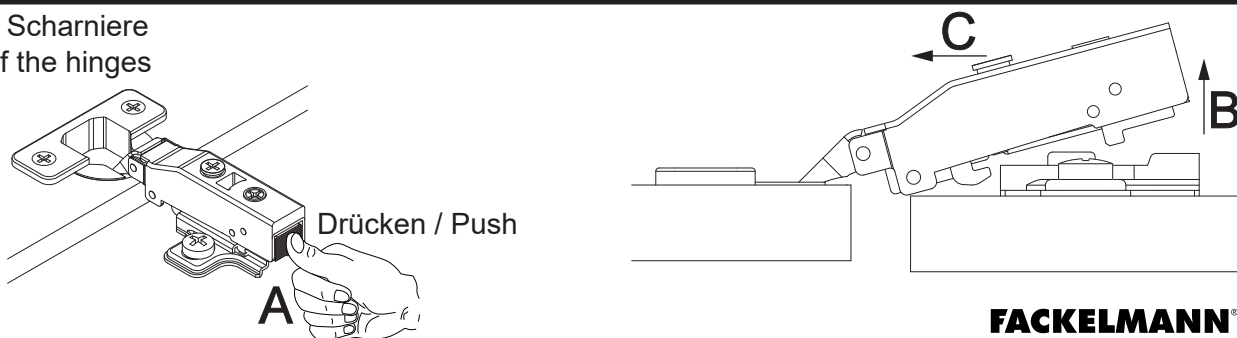
2x



Scharniereinstellung Türanschlag links  
Hinge adjustment door hinge left



Lösen der Scharniere  
Release of the hinges

**FACKELMANN®**

5BB0827340 S 15 48/21