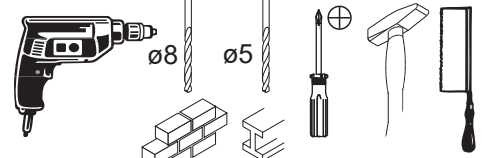
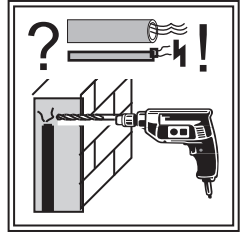
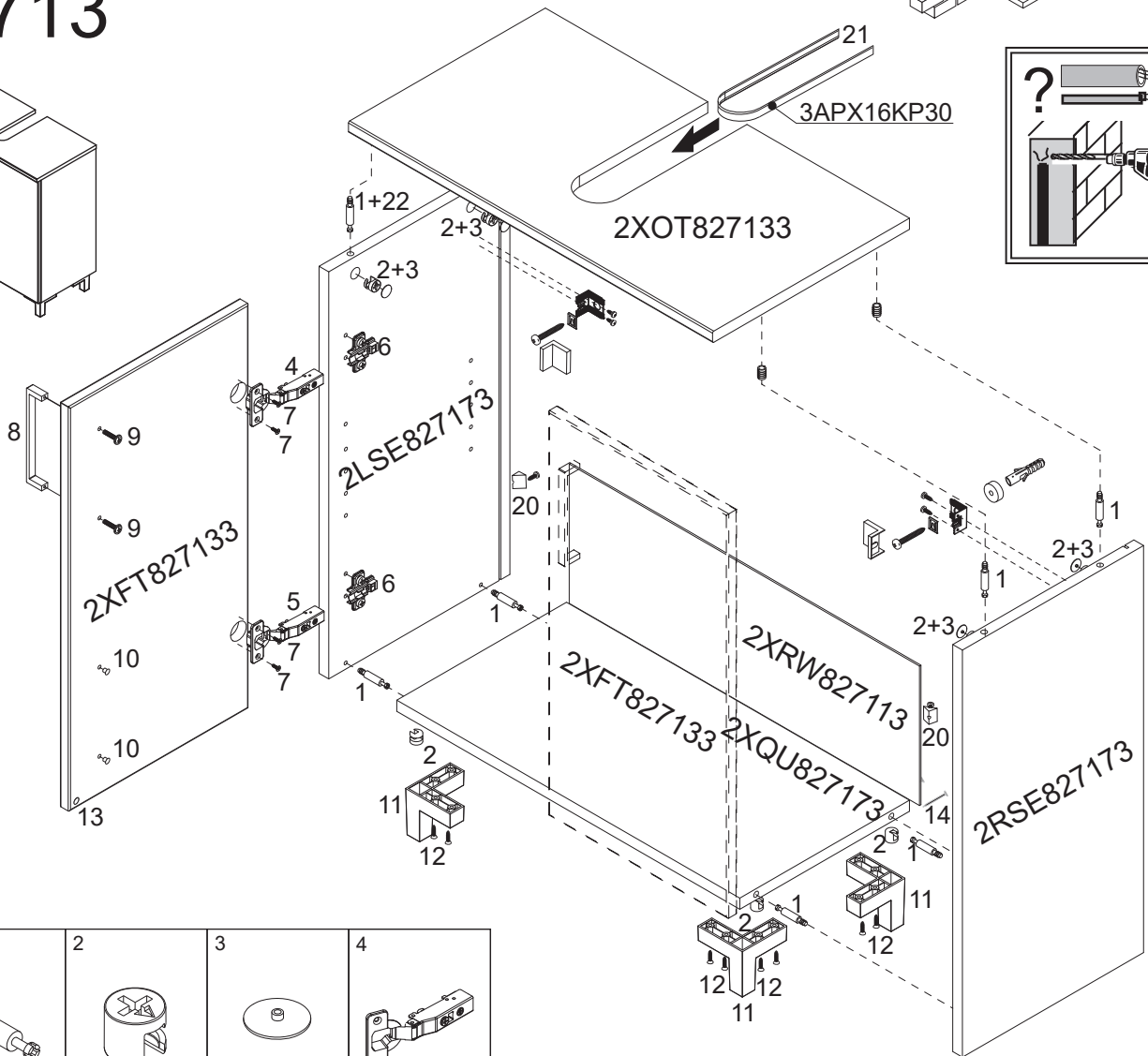
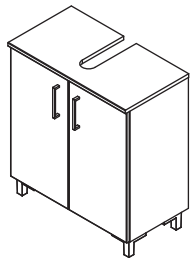


# FACKELMANN®



## 82713



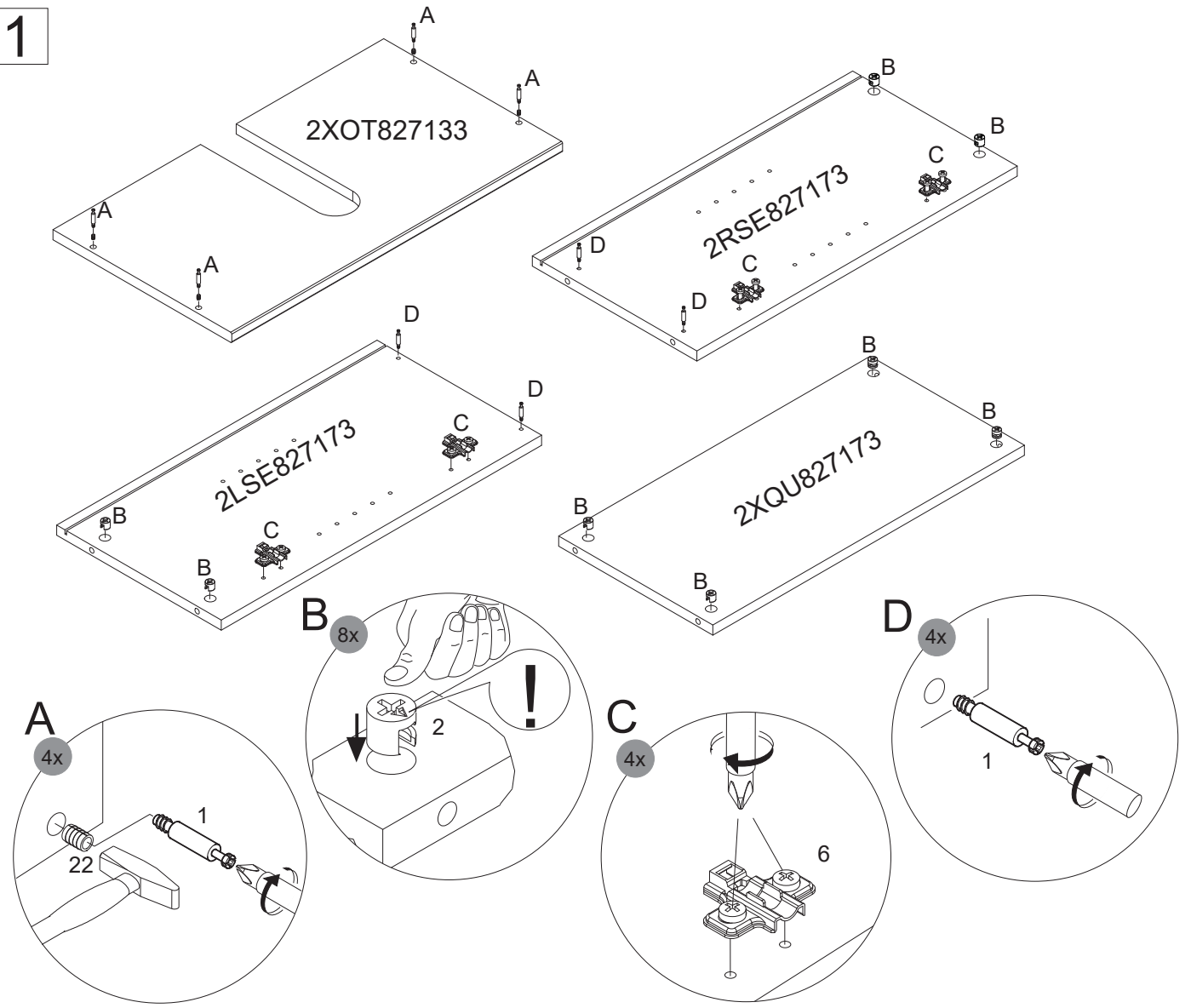
1	2	3	4
4BB1500001	4BB1515000	4BB0070523	4BB3511002
8 x	8 x	4 x	2 x

### FACKELMANN® GmbH + Co. KG

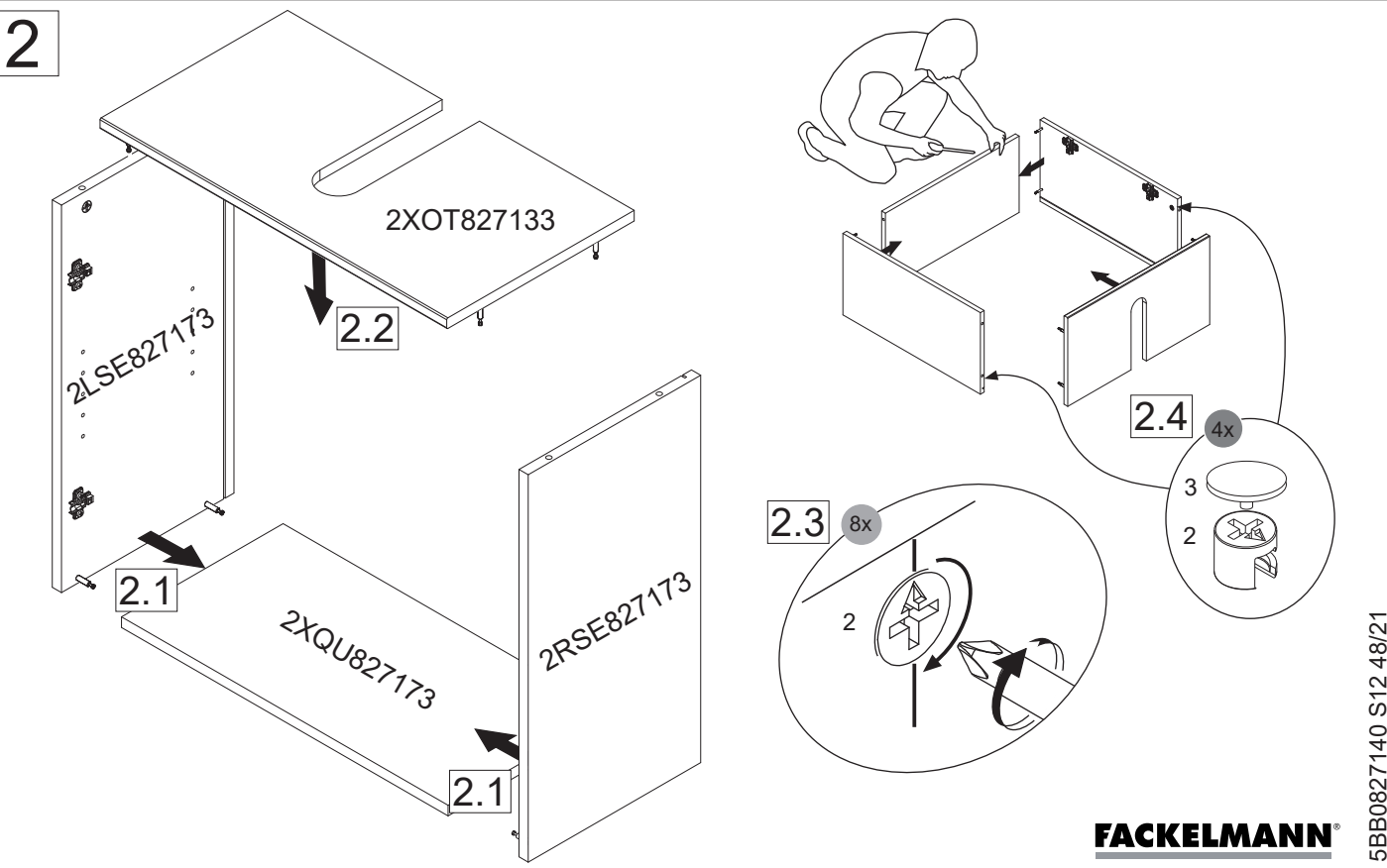
Sebastian-Fackelmann-Str. 6  
91217 Hersbruck • Deutschland  
FAX: 09151/811-294  
Servicetelefon: 09151/811-206  
servicebm@fackelmann.de  
www.fackelmann.com

5	6	7	8	9	10	11	12	13
Softclose 								
4BB3511003	4BB3711012	3,5x13mm 4SK3.5X130	4BB8550128	4FKM4.0X20	4BB1245037	4BB0909080	4SK4.0X251	2BB268X1.6
2 x	4 x	8 x	2 x	4 x	4 x	4 x	16 x	2 x
14	15	16	17	18	19	20	21	22
4XBN1.2X20	4BB8430000	5x60mm 4RK5.0X601	Ø8 4BD8000000	4BB8430003	4 x 15mm 4RK4.0X150	4XBB800010	3APX16KP30	4BB1500008
5 x	2 x	2 x	2 x	2 x	4 x	1 x	1 x	4 x

1

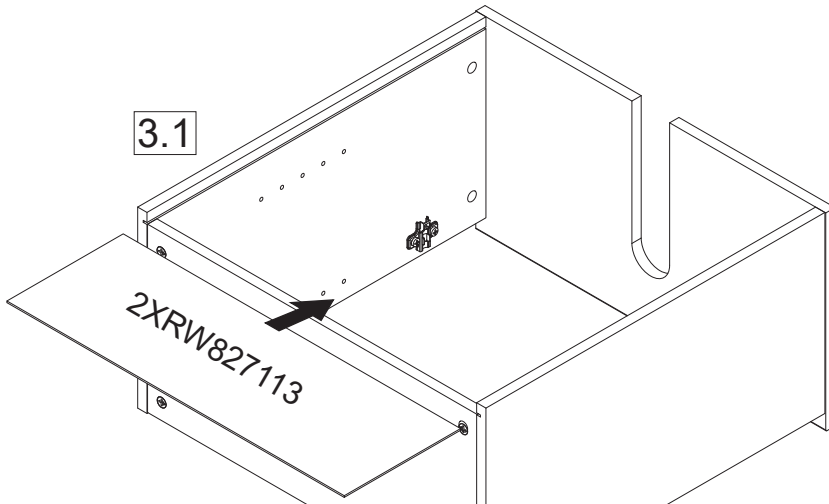


2

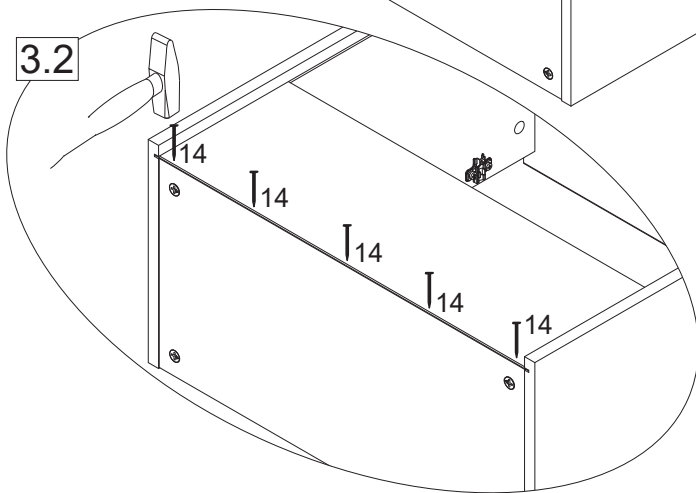


3

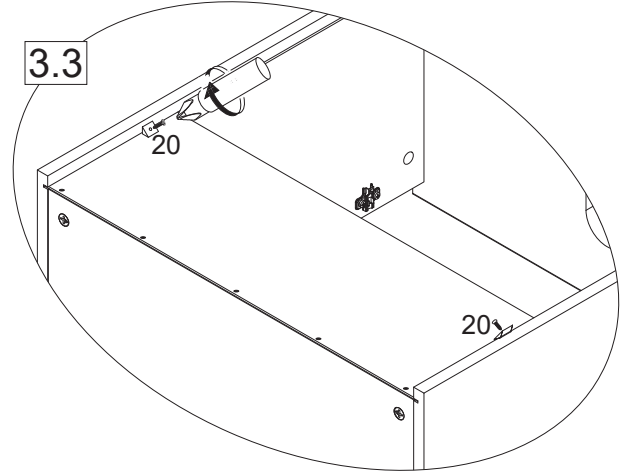
3.1



3.2

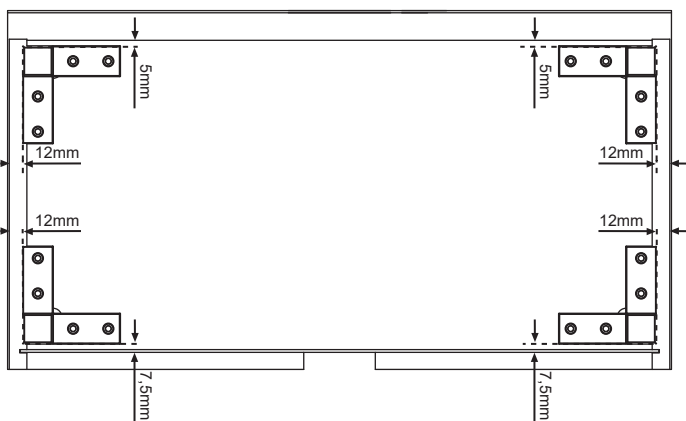
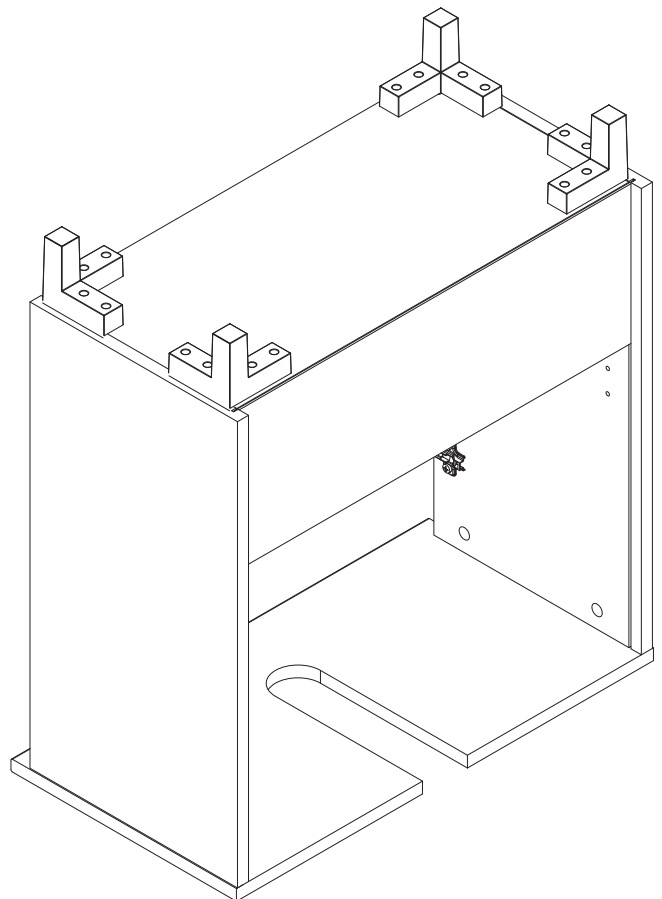
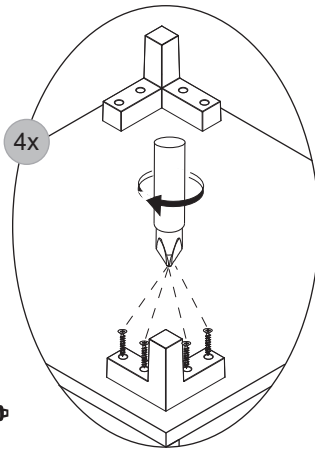


3.3



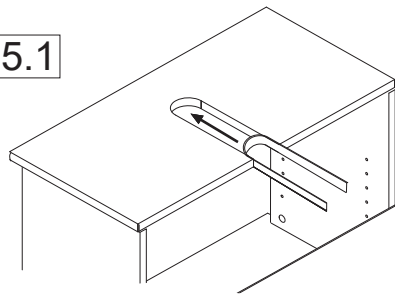
4

11	12
<del></del>	4x25mm
4BB0909080	4SK4.0X251
4 x	16 x

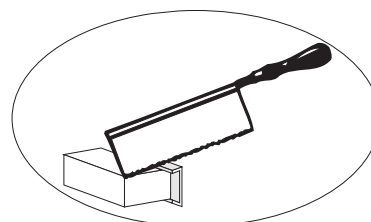
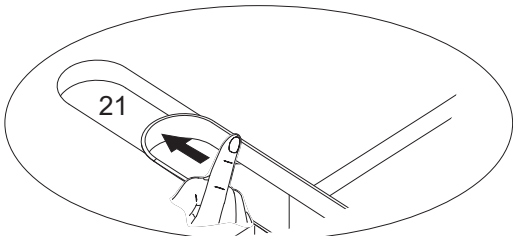
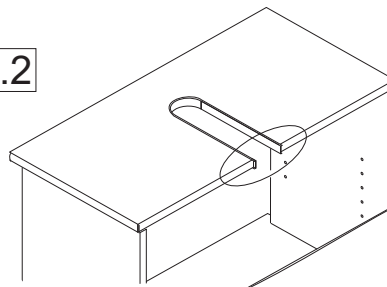


5

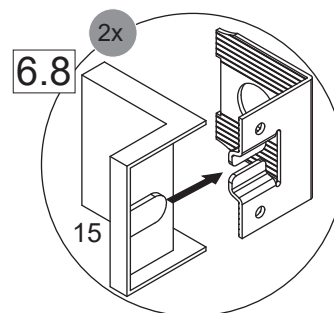
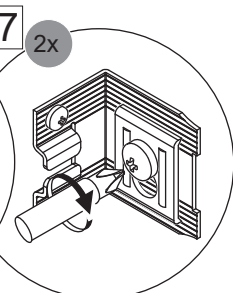
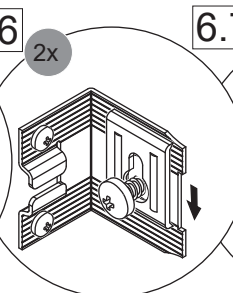
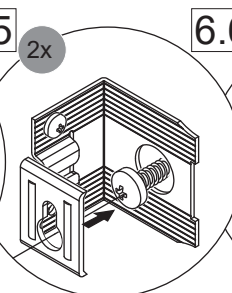
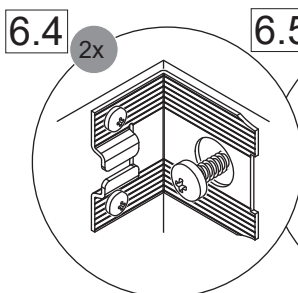
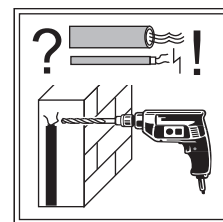
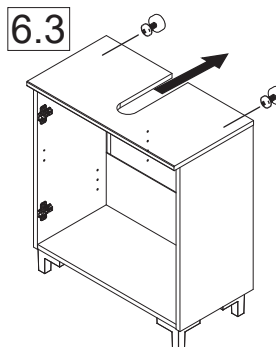
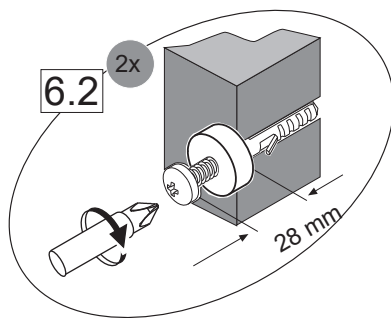
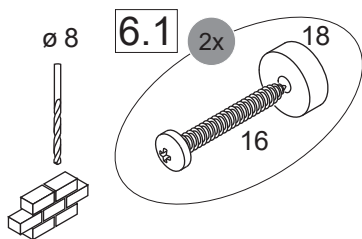
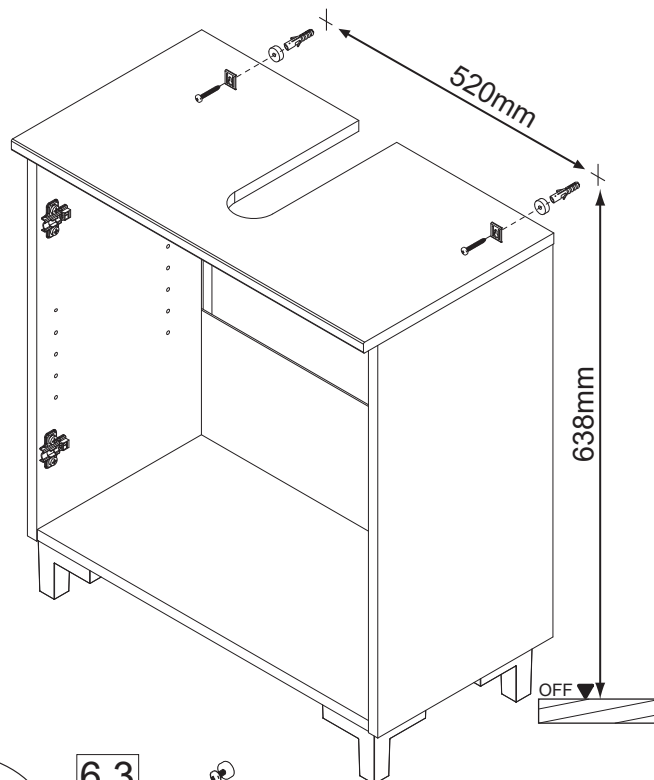
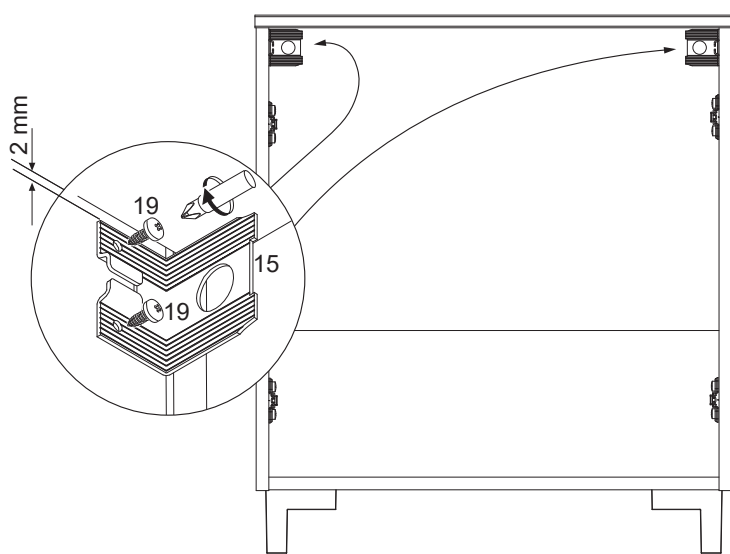
5.1



5.2



6



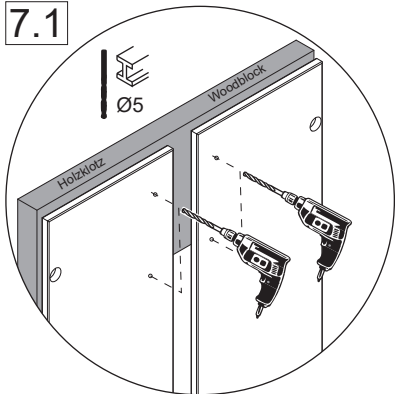
\*OFF = Oberkante fertiger Fußboden  
\*OFF = Top edge of finished floor

**FACKELMANN®**

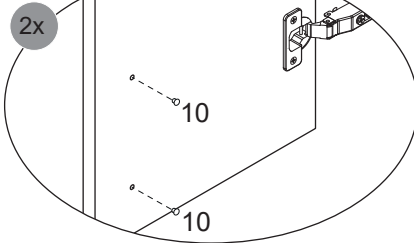
5BB0827140 S 14 48/21

7

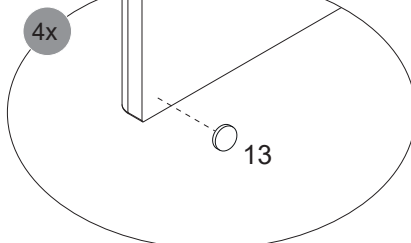
7.1



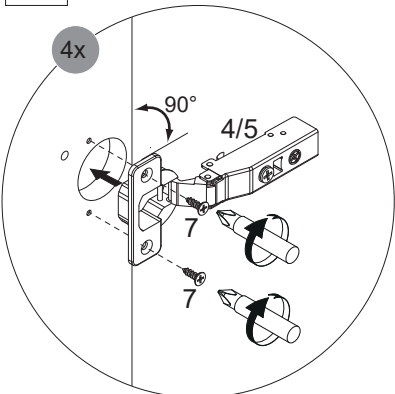
7.4



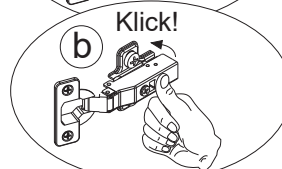
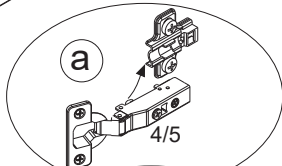
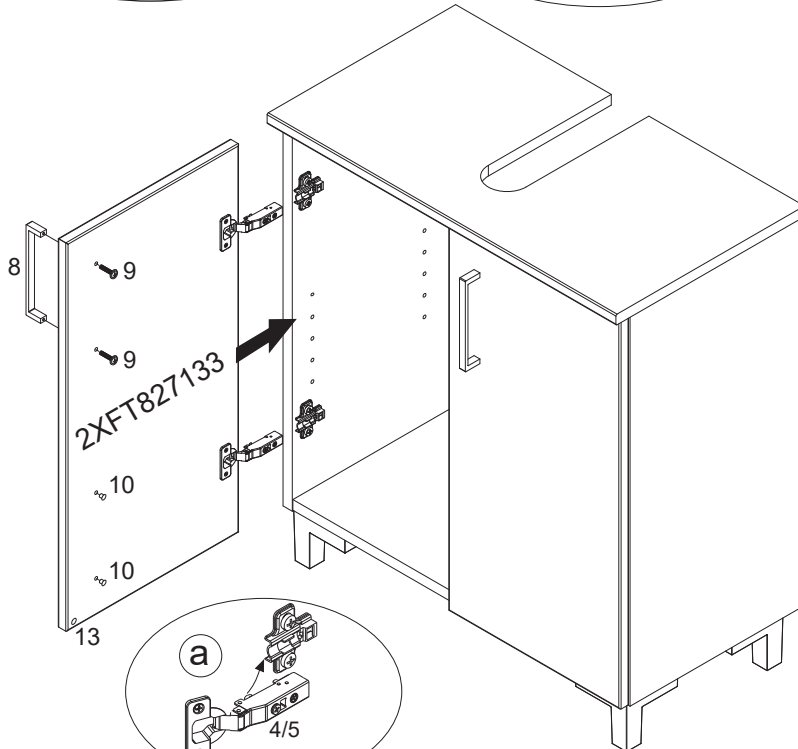
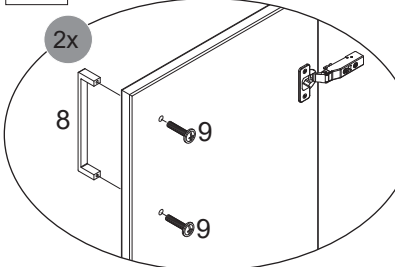
7.5



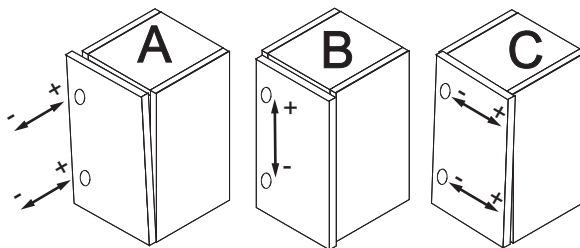
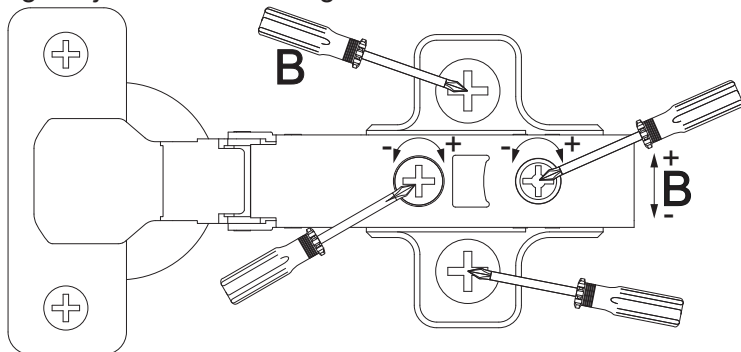
7.2



7.3



Scharniereinstellung Türanschlag links  
Hinge adjustment door hinge left



Lösen der Scharniere  
Release of the hinges

